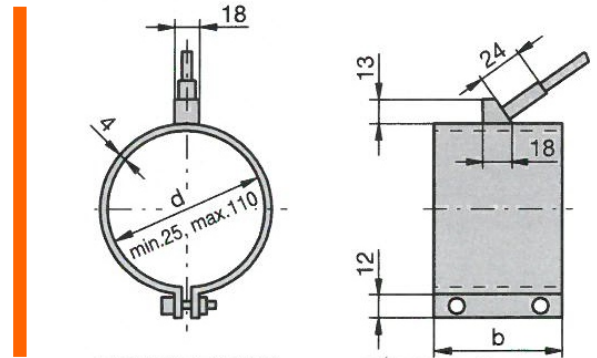


Nozzle Heater Bands

(Band Heaters)

Spec sheet

Type HS/DHB



Application

- The heating of nozzles on injection moulding machines and similar applications on plastic processing machines.
- Heating of pipelines.
- Various applications are possible.

Construction

Mica insulated one-piece closed all-steel construction, therefore highly suitable for plastic processing.

Standard fittings

45° connection tube (other configurations with angles of 15°-90° are available on request.)

Standard length of connection lead (A) 300 mm steel braid.

Standard voltage 230 V

Surface load / Temperature

Type HS/DHB : Maximum watts density of 6.0 W/cm²

Maximum operating temperature : 350°C

Other sizes, voltages and wattages available on request.